

# NGK SPARK PLUGS

## Iridium Spark Plugs

Part #	Box Qty.	MSRP	Part #	Box Qty.	MSRP
N-BKR5EIX-11	4	\$12.64	N-CR7HIX	4	\$12.64
N-BKR6EIX	4	\$12.64	N-CR8EHIX-9	4	\$12.64
N-BKR6EIX-11	4	\$12.64	N-CR8EIB-10	4	\$12.90
N-BKR7EIX	4	\$13.69	N-CR8EIX	4	\$12.64
N-BKR7EIX-11	4	\$12.64	N-CR8HIX	4	\$12.64
N-BKR8EIX	4	\$13.69	N-CR9EHIX-9	4	\$12.64
N-BPR5EIX	4	\$12.64	N-CR9EIX	4	\$12.64
N-BPR5EIX-11	4	\$12.64	N-DCPR7EIX	4	\$12.64
N-BPR6EIX	4	\$12.64	N-DCPR8EIX	4	\$12.64
N-BPR6HIX	4	\$12.64	N-DIMR8B10	4	\$35.07
N-BPR7EIX	4	\$12.64	N-DPR7EIX-9	4	\$12.64
N-BPR7HIX	4	\$12.64	N-DPR8EIX-9	4	\$12.64
N-BPR8HIX	4	\$12.64	N-DPR9EIX-9	4	\$12.64
N-BPR9EIX	4	\$12.64	N-DR7EIX	4	\$12.64
N-BR10ECMIX	4	\$33.20	N-DR8EIX	4	\$12.64
N-BR10EIX	4	\$12.64	N-DR9EIX	4	\$12.64
N-CR7EIX	4	\$12.67	N-CR8EIB-9	4	\$12.90
N-BR10HIX	4	\$12.64	N-IMR8C-9H	4	\$19.87
N-BR6HIX	4	\$12.64	N-IMR9A-9H	4	\$19.87
N-BR7HIX	4	\$12.64	N-IMR9B-9H	4	\$19.87
N-BR8ECMIX	4	\$18.91	N-IMR9C-9H	4	\$19.87
N-BR8EIX	4	\$12.64	N-IMR9C-9HE	4	\$19.87
N-BR8HIX	4	\$12.64	N-IMR9C-9HES	4	\$19.87
N-BR9ECMIX	4	\$18.91	N-IMR9D-9H	4	\$19.87
N-BR9EIX	4	\$12.64	N-BR7EIX	4	\$12.64
N-BR9HIX	4	\$12.64	N-CR6EIA-9	4	\$12.90
N-CPR7EAIX-9	4	\$9.55	N-CR9EIA-9	4	\$12.90
N-CR10EIX	4	\$12.64	N-FR9BI-11	4	\$12.90
N-CR5HIX	4	\$12.64	N-IJR7A9	4	\$19.87
N-CR6HIX	4	\$12.64	N-ILZKAR7A10	4	\$19.48

## V-Power Spark Plugs

Part #	Box Qty.	MSRP	Part #	Box Qty.	MSRP
N-BCPR5E-11	4	\$3.20	N-BKR7ES-11	4	\$3.20
N-BCPR5ES-11	4	\$3.20	N-BPR5EY-11	4	\$3.20
N-BCPR6E-11	4	\$3.20	N-IFR5L11	4	\$19.87
N-BCPR6ES	4	\$3.20	N-IFR6L11	4	\$19.87
N-BCPR6ES-11	4	\$3.20	N-IFR7L11	4	\$19.87
N-BK5RES-11	4	\$3.20	N-IFR8H11	4	\$20.92
N-BKR4E-11	4	\$3.20	N-IFR9H11	4	\$19.87
N-BKR5E-11	4	\$3.20	N-IZFR6F11	4	\$19.87
N-BKR6E-11	4	\$3.20	N-IZTR5B11	4	\$14.88
N-BKR6ES-11	4	\$3.20	N-BR8ES-11	10	\$3.20
N-BKR7E-11	4	\$3.20			

## Resistor Caps

Part #	MSRP	Part #	MSRP
N-LB01E	\$3.06	N-SD05FP	\$4.20
N-LB01EP	\$3.06	N-TB05EM	\$7.12
N-LB05E	\$3.06	N-TB05EMAB	\$6.78
N-LB05EMH	\$6.78	N-TB05EMAG	\$6.78
N-LB05EP	\$3.06	N-TB05EMD	\$9.78
N-LB05EZ	\$3.06	N-VB05E	\$4.20
N-LB05EZA	\$5.58	N-VB05F	\$4.20
N-LB05F	\$3.06	N-VB05FP	\$4.20
N-LB05FP	\$3.06	N-VD05EMH	\$10.18
N-LB10E	\$3.06	N-VD05F	\$4.20
N-LB10EH	\$3.06	N-VD05FMH	\$10.18
N-LD05F	\$3.06	N-VD05FP	\$4.20
N-LD05FP	\$3.06	N-XB05F	\$4.20
N-LZFH	\$1.62	N-XB05FP	\$7.12
N-SB05E	\$4.20	N-XD05F	\$4.20
N-SB05F	\$4.20	N-XD05FP	\$4.20
N-SB05FP	\$4.20	N-YB05F	\$4.20
N-SD05F	\$4.20	N-YB05FP	\$4.20

## NGK SPARK PLUGS

- Sold by the box, priced per plug.
- Quantity of the plugs per box is listed below.



- ATV/UTV UTILITY TIRES
- ATV/UTV SPORT/SAND
- ATV/UTV WHEELS
- MOTORCYCLE STREET TIRES
- OFF-ROAD TIRES
- MOTORCYCLE WHEELS
- TUBES
- EXHAUST
- CONTROL
- MOTORCYCLE ACCESSORIES
- GOOGLES
- HELMETS
- PROTECTIVE GEAR
- ATV/UTV ADD ONS
- WINCH/PLOW
- SUSPENSION
- BEARINGS
- DRIVE
- ELECTRICAL
- MISC. ACCESSORIES
- ENGINE
- FUEL/AIR
- TOOLS
- BRAKES
- CHEMICAL
- APPAREL
- CROSS REFERENCE

# NGK SPARK PLUGS

## Standard Spark Plugs

	Box			Box			Box			Box		
	Part #	Qty.	MSRP	Part #	Qty.	MSRP	Part #	Qty.	MSRP	Part #	Qty.	MSRP
ATV/UTV UTILITY TIRES	N-AB-6	10	\$3.20	N-BR10EG	4	\$7.00	N-CR9E	10	\$6.89	N-R5673-7	4	\$3.15
ATV/UTV SPORT/SAND	N-B10EG	4	\$5.24	N-BR10ES	10	\$3.32	N-CR9EB	10	\$6.89	N-R5673-8	4	\$3.15
ATV/UTV WHEELS	N-B10EGV	4	\$8.85	N-BR2LM	10	\$2.98	N-CR9EH-9	10	\$10.80	N-R5673-9	4	\$3.15
MOTORCYCLE STREET TIRES	N-B10ES	4	\$3.29	N-BR4HS	10	\$2.98	N-CR9EK	10	\$10.80	N-R5674-6	4	\$3.15
OFF-ROAD TIRES	N-B10HS	10	\$3.20	N-BR4LM	10	\$2.27	N-CR9EKB	10	\$10.80	N-R5674-8	4	\$2.35
MOTORCYCLE WHEELS	N-B2LM	10	\$5.24	N-BR5HS	10	\$2.98	N-CR9EKPA	4	\$19.87	N-R5674-9	4	\$3.15
EXHAUST	N-B4LM	10	\$2.98	N-BR6ES	4	\$3.20	N-D6EA	10	\$3.29	N-R5724-10	4	\$3.15
CONTROL	N-B5HS	10	\$3.20	N-BR6FS	10	\$3.23	N-D6HA	10	\$3.29	N-R5724-8	4	\$3.15
MOTORCYCLE ACCESSORIES	N-B6ES	4	\$3.20	N-BR6HS	10	\$3.20	N-D7EA	10	\$3.29	N-R5724-9	4	\$3.15
GOGGLES	N-B6HS	4	\$3.20	N-BR7ES	10	\$3.29	N-D8EA	10	\$3.29	N-R6061-9	10	\$8.19
HELMETS	N-B7ES	10	\$3.29	N-BR7HS	10	\$2.98	N-D8HA	10	\$3.29	N-R6252K-105	4	\$10.86
PROTECTIVE GEAR	N-B7ES-SOLID	10	\$3.20	N-BR7HS-10	10	\$3.20	N-D9EA	10	\$3.29	N-R6254E-105	10	\$10.86
ATV/UTV ADD ONS	N-B7HS	10	\$3.29	N-BR8ECM	10	\$15.37	N-DCPR6E	10	\$4.65	N-R6254E-9	4	\$10.86
WINCH/ PLOW	N-B8EG	4	\$5.24	N-BR8ECS	10	\$8.56	N-DCPR7E	10	\$4.65	N-R6254K-105	4	\$10.86
SUSPENSION	N-B8EGV	4	\$8.85	N-BR8EG	4	\$7.00	N-DCPR8E	10	\$4.65	N-R6918B-7	4	\$47.46
BEARINGS	N-B8ES	10	\$3.32	N-BR8ES	10	\$3.32	N-DCPR9E	10	\$4.65	N-R6918B-8	4	\$47.46
DRIVE	N-B8HS	10	\$3.29	N-BR8ES-SOLID	10	\$3.20	N-DP6EA-9	10	\$3.20	N-R6918B-9	4	\$47.46
ELECTRICAL	N-B9EG	4	\$5.24	N-BR8HS	10	\$3.29	N-DP7EA-9	10	\$3.29	N-R6918C-9	10	\$47.46
MISC. ACCESSORIES	N-B9EGV	4	\$8.85	N-BR8HS-10	10	\$3.20	N-DP8EA-9	10	\$3.29	N-R7282-105	4	\$67.10
ENGINE	N-B9ES	10	\$3.29	N-BR8HSA	10	\$3.29	N-DP9EA-9	10	\$3.29	N-R7376-10	4	\$50.24
FUEL/AIR	N-B9HS	10	\$3.29	N-BR9ECM	10	\$15.37	N-DPR5EA-9	10	\$3.29	N-SILMAR9A9S	4	\$19.87
TOOLS	N-BKR5E	4	\$3.20	N-BR9ECS	10	\$8.56	N-DPR6EA-9	10	\$3.29	N-UR4	4	\$3.20
BRAKES	N-BKR5EK	4	\$7.82	N-BR9ECS-5	10	\$8.56	N-DPR6EB-9	10	\$3.20	N-ZFR4F-11	4	\$4.00
CHEMICAL	N-BKR5ES	10	\$3.20	N-BR9EG	4	\$7.00	N-DPR7EA-9	10	\$3.29	N-ZFR7F-11	4	\$4.00
APPAREL	N-BKR6E	4	\$3.20	N-BR9EG-N8	4	\$7.40	N-DPR8EA-9	10	\$3.29			
CROSS REFERENCE	N-BKR6EGP	4	\$4.76	N-BR9EG-SOLID	4	\$7.00	N-DPR8Z	10	\$4.25			
	N-BKR6EK	4	\$7.82	N-BR9ES	10	\$3.32	N-DPR9EA-9	10	\$3.29			
	N-BKR6EKE	10	\$7.82	N-BR9ES-SOLID	10	\$3.32	N-DR5HS	10	\$3.20			
	N-BKR6ES	4	\$3.20	N-BR9EYA	10	\$4.68	N-DR7EA	10	\$3.29			
	N-BKR6EY	4	\$3.20	N-BR9HS	10	\$3.32	N-DR7ES	10	\$3.29			
	N-BKR7E	4	\$3.20	N-BUHW	10	\$4.14	N-DR8EA	10	\$3.29			
	N-BKR7EKC-N	10	\$8.05	N-BUHW2	10	\$4.14	N-DR8ES	10	\$3.29			
	N-BMR2A	10	\$2.98	N-BUHWS	10	\$3.86	N-DR8ES-L	10	\$3.29			
	N-BMR4A	10	\$2.98	N-BZ7HS-10	10	\$5.16	N-DR8HS	10	\$3.29			
	N-BMR6A	10	\$2.98	N-C6HSA	10	\$3.29	N-DR9EA	10	\$3.29			
	N-BP4HS	10	\$3.29	N-C7E	10	\$3.77	N-J10A	10	\$3.20			
	N-BP5ES	4	\$3.20	N-C7HSA	10	\$3.29	N-J9A	10	\$3.20			
	N-BP5HS	10	\$3.29	N-C8E	10	\$3.88	N-JR10B	10	\$7.20			
	N-BP6ES	4	\$3.20	N-C8HA	10	\$3.29	N-JR9B	10	\$7.40			
	N-BP6HS	4	\$3.20	N-C8HSA	10	\$3.29	N-JR9C	10	\$6.89			
	N-BP6HS-10	10	\$3.20	N-C9E	10	\$3.88	N-LFR6A	10	\$8.73			
	N-BP7ES	4	\$3.20	N-CM6	10	\$10.29	N-LFR6A-11	10	\$8.48			
	N-BP7HS	4	\$3.20	N-CMR7H	10	\$5.05	N-LKAR8A-9	10	\$18.03			
	N-BP8ES	10	\$3.29	N-CPR6EB-9	10	\$6.89	N-LKR8A	10	\$10.29			
	N-BP8HN10	10	\$3.20	N-CPR7EA-9	10	\$6.89	N-LMAR6A-9	10	\$10.46			
	N-BP8HS	10	\$3.29	N-CPR8E	10	\$6.89	N-LMAR7A-9	10	\$10.46			
	N-BP8HS15	10	\$3.20	N-CPR8EA-9	10	\$6.89	N-LMAR9E-J	10	\$15.65			
	N-BPM6A	10	\$2.98	N-CPR8EB-9	10	\$6.89	N-LR8B	10	\$4.65			
	N-BPM7A	10	\$2.98	N-CPR9EB-9	10	\$6.72	N-LZKAR7A	10	\$5.22			
	N-BPMR6F	10	\$2.98	N-CR10E	10	\$6.89	N-PFR7B	4	\$19.48			
	N-BPMR7A	10	\$2.98	N-CR10EK	10	\$10.80	N-PMR9B	4	\$22.57			
	N-BPR2ES	10	\$2.98	N-CR4HSB	10	\$2.98	N-PZFR6F	10	\$22.57			
	N-BPR4ES	4	\$3.20	N-CR5EH-9	10	\$10.46	N-PZFR6H	4	\$19.87			
	N-BPR4HS	10	\$2.98	N-CR5HSA	10	\$3.29	N-PZFR7G-G	4	\$19.87			
	N-BPR5E	4	\$3.20	N-CR6E	10	\$6.89	N-R0409B-8	4	\$54.66			
	N-BPR5EY	4	\$3.20	N-CR6HS	10	\$3.29	N-R4304A-9	4	\$37.90			
	N-BPR5HS	10	\$2.98	N-CR6HSA	10	\$3.29	N-R5670-7	4	\$3.15			
	N-BPR6EFS	10	\$3.20	N-CR6HSB	10	\$2.98	N-R5670-8	4	\$2.35			
	N-BPR6ES	4	\$3.20	N-CR7E	10	\$6.89	N-R5670-9	4	\$2.35			
	N-BPR6EY	4	\$3.20	N-CR7EB	10	\$6.89	N-R5671A10	4	\$3.15			
	N-BPR6HS	10	\$2.98	N-CR7EH-9	10	\$10.77	N-R5671A-10	4	\$2.35			
	N-BPR6HSA	10	\$3.29	N-CR7EK	10	\$10.80	N-R5671A-11	4	\$2.35			
	N-BPR7ES	4	\$3.20	N-CR7EKB	10	\$10.77	N-R5671A-7	4	\$3.15			
	N-BPR7HS	10	\$3.20	N-CR7HS	10	\$3.29	N-R5671A8	4	\$3.15			
	N-BPR8ES	10	\$3.20	N-CR7HSA	10	\$3.29	N-R5671A-8	4	\$2.35			
	N-BPR8HS	10	\$3.20	N-CR8E	10	\$6.89	N-R5671A9	4	\$3.15			
	N-BPR9ES	10	\$3.32	N-CR8EB	10	\$6.89	N-R5671A-9	4	\$2.35			
	N-BPZ8HN10	10	\$10.86	N-CR8EH-9	10	\$10.77	N-R5672A-8	4	\$3.15			
	N-BPZ8HS-10	10	\$10.86	N-CR8EK	10	\$10.77	N-R5673-10	4	\$3.15			
	N-BR10ECS	10	\$8.56	N-CR8EKB	10	\$10.80	N-R5673-6	4	\$3.15			
				N-CR8EKPA	4	\$19.87						
				N-CR8HSA	10	\$3.32						

### NGK Spark Plugs

- Sold By The Box, Priced Per Plug.
- Quantity Of The Plugs Per Box Is Listed Below.

Please See The Cross Reference Pages Located In The Back Of The Book For Ngk Applications.



# NGK SPARK PLUGS

Part #	NGK Racing Cables	MSRP
N-CR5	NGK RACING CABLE w/REMOVABLE CAP	\$24.64
N-CR6	NGK RACING CABLE w/SOLID CAP	\$24.64



## NGK Displays and Racks

Part #	Description	MSRP
N-99971	NGK Spark Plug Cabinet	CALL
N-99952	NGK V-Twin Spark Plug Rack	CALL
N-99950	NGK Spark Plug Rack	CALL
N-SPH-40	NGK Spark Plug Holder Display	\$84.91



NGK Spark Plug Holder



NGK V-Twin Spark Plug Rack



NGK Spark Plug Cabinet



- ATV/UTV UTILITY TIRES
- ATV/UTV SPORT/SAND
- ATV/UTV WHEELS
- MOTORCYCLE STREET TIRES
- OFF-ROAD TIRES
- MOTORCYCLE WHEELS
- TUBES
- EXHAUST
- CONTROL
- MOTORCYCLE ACCESSORIES
- GOGGLES
- HELMETS
- PROTECTIVE GEAR
- ATV/UTV ADD ONS
- WINCH/PLOW
- SUSPENSION
- BEARINGS
- DRIVE
- ELECTRICAL
- MISC. ACCESSORIES
- ENGINE
- FUEL/AIR
- TOOLS
- BRAKES
- CHEMICAL
- APPAREL
- CROSS REFERENCE

# NGK SPARK PLUGS DEFINITIONS

- ATV/UTV UTILITY TIRES
- ATV/UTV SPORT/SAND
- ATV/UTV WHEELS
- MOTORCYCLE STREET TIRES
- OFF-ROAD TIRES
- MOTORCYCLE WHEELS
- TUBES
- EXHAUST
- CONTROL
- MOTORCYCLE ACCESSORIES
- GOGGLES
- HELMETS
- PROTECTIVE GEAR
- ATV/UTV ADD ONS
- WINCH/PLOW
- SUSPENSION
- BEARINGS
- DRIVE
- ELECTRICAL
- MISC. ACCESSORIES
- ENGINE
- FUEL/AIR
- TOOLS
- BRAKES
- CHEMICAL
- APPAREL
- CROSS REFERENCE

Thread Diameter	Thread Reach
<b>A:</b> 18 mm	<b>E:</b> 19 mm (3/4")
<b>B:</b> 14 mm	<b>EF:</b> Tapered Seat 17.5 mm (.708" Reach)
<b>C:</b> 10 mm	<b>FS:</b> Tapered Seat 10.9 mm (.460")
<b>D:</b> 12 mm	<b>H:</b> 12.7 mm (1/2")
<b>J:</b> 12 mm	<b>EH:</b> Partial thread 19 mm (3/4" Total Reach) 12.7 mm (1/2" Total Thread)
<b>Construction</b> (ONE OR MORE LETTERS MAY BE COMBINED)	
<b>C:</b> Hex Size 5/8"	<b>L:</b> 11.2 mm (7/16")
<b>K:</b> Hex Size 5/8" Projected Tip (ISO)	<b>S:</b> 9.5 mm (3/8") Reach
<b>M:</b> Compact Type	<b>Z:</b> 21 mm
<b>P:</b> Projected Insulator Type	<b>NO SYMBOL:</b>
<b>R:</b> Resistor Type	18mmø = 12 mm Reach
<b>U:</b> Surface or Semi-Surface Discharge Type	14mmø = 9.5 mm (3/8") Reach
<b>Z:</b> Inductive Resistor	

Firing End Construction	
<b>A:</b> Special Design	<b>M:</b> 2-Ground electrodes For Mazda Rotary Eng.
<b>B:</b> Special Design	<b>N:</b> Special Side electrode
<b>C:</b> Low Angle Ground Electrode	<b>P:</b> Premium Platinum
<b>CM:</b> Compact type, low angle ground electrode	<b>Q:</b> 4-Ground electrode
<b>E:</b> V-Grooved center electrode (14mm only) 1.5mm Insulator	<b>R:</b> Special Ground electrode
<b>ES:</b> Standard 3/4" Thread Reach (2.5mm) center electrode	<b>S:</b> Standard 2.5mmø center electrode
<b>F:</b> Tapered Seat	<b>T:</b> 3-Ground electrode
<b>G:</b> Fine wire nickel alloy center electrode	<b>U:</b> Semi-surface discharge
<b>G-G:</b> Copper core ground electrode	<b>V:</b> Fine wire gold palladium center electrode
<b>GP:</b> Platinum Firewire (6mm)	<b>VX:</b> High performance platinum
<b>GV:</b> Gold-palladium center electrode Special Construction of V-Type. Racing use	<b>W:</b> Tungsten electrode
<b>IX:</b> High Performance Iridium	<b>X:</b> Booster gap
<b>K:</b> 2-Ground electrodes	<b>Y:</b> V-Grooved center electrode (14mm only) 2.5mm Insulator
<b>L:</b> Half heat range, (See spec. chart)	<b>Z:</b> Thick 2.9mmø center electrode
<b>LM:</b> Compact type for Lawn Mower	

**B C P R 6 E S - 11**

- WIDE GAP -	
<b>8</b>	0.8mm (.032")
<b>9</b>	0.9mm (.036")
<b>10</b>	1.0mm (.040")
<b>11</b>	1.1mm (.044")
<b>13</b>	1.3mm (.052")
<b>14</b>	1.4mm (.055")
<b>15</b>	1.5mm (.060")
<b>20</b>	2.0mm (.080")

Plug Type	Heat Rating Numbers
<b>I:</b> Iridium Platinum	2 Hot
<b>L:</b> Thread Reach 26.5mm	↕
<b>P:</b> Premium Platinum	11 Cold
<b>Z:</b> Extended Gap	

Firing End Construction
A, B, C...: Special Design

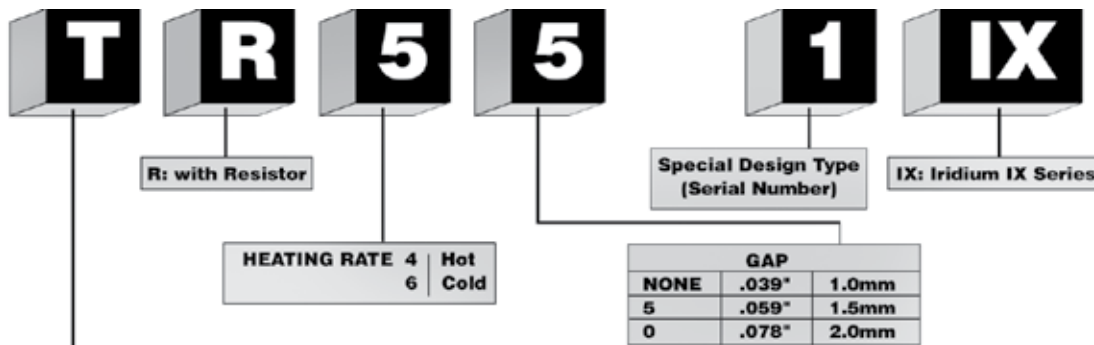
**P F R 6 A - 11**

Metal Shell Size
<b>F:</b> ø 14, 19mm (3/4") Reach, 16mm (5/8") Hex.
<b>G:</b> ø 14, 19mm (3/4") Reach, 20.6mm (13/16") Hex.
<b>J:</b> ø 12, 19mm (3/4") Reach, 19mm Hex.
<b>M:</b> ø 10, 19mm (3/4") Reach, 16mm (5/8") Hex.
<b>T:</b> Tapered Seat ø 14, 17.5mm Reach, 16mm (5/8") Hex.
<b>PTR5A-13:</b> ø 14, 25mm Reach, 16mm (5/8") Hex.

Construction
<b>R:</b> Resistor



# NGK SPARK PLUGS DEFINITIONS



Letter	Thread Diameter	Reach	Insulator Type	Seat Type
F	14 mm Hex. 5/8"	3/4" (19mm)	Projected	Gasket Seat
F-1	14 mm Hex. 5/8"	22mm	Projected	Gasket Seat
G	14 mm	3/4" (19mm)	Projected	Gasket Seat
T	14 mm Hex. 5/8"	.708"	Projected	Taper Seat
T-1	14 mm Hex. 5/8"	.807"	Projected	Taper Seat
U	14 mm	.460"	Projected	Taper Seat
W	18 mm	.460"	Projected	Taper Seat
X	14 mm	3/8"	Projected	Gasket Seat
Y	14 mm	.460"	Non-Projected	Taper Seat

HEAT RATING
Hot = 4
Cold = 7

SPARK PLUG GAP
None = .031 (0.8mm)
-11 = .043 (1.1mm)

Prefix	Hex	Thread Diameter	Insulator Type	Plug Type	Reach	Suffix Type	Seat Type
BCPR	5/8"	14mm	Projected	Resistor	3/4"	E,EY,EYA	Gasket Seat
BKR	5/8" (ISO)	14mm	Non-Projected	Resistor	3/4"	E,EY,EYA	Gasket Seat
BR	5/8"	14mm	Non-Projected	Resistor	3/4"	EF	Tapered Seat
BR	13/16"	14mm	Non-Projected	Resistor	3/4"	EYA	Gasket Seat
BPM (Compact Type)	3/4"	14mm	Projected	Non-Resistor	3/8"	Y	Gasket Seat
BP	13/16"	14mm	Projected	Non-Resistor	3/4"	EY	Gasket Seat
BPR	13/16"	14mm	Projected	Resistor	3/4"	EY	Gasket Seat
BP	13/16"	14mm	Projected	Non-Resistor	1/2"	HN	Gasket Seat
B	13/16"	14mm	Non-Projected	Non-Resistor	3/8"	Y	Gasket Seat
BPMR (Compact Type)	3/4"	14mm	Projected	Resistor	3/8"	Y	Gasket Seat
BM (Compact Type)	3/4"	14mm	Non-Projected	Non-Resistor	3/8"	Y	Gasket Seat
BMR (Compact Type)	3/4"	14mm	Non-Projected	Resistor	3/8"	A	Gasket Seat

## EXTENDED GAP TYPE

Prefix	Hex	Thread Diameter	Insulator Type	Plug Type	Reach	Suffix Type	Seat Type
ZGR	13/16"	14mm	Projected	Resistor	3/4"	A	Gasket Seat
ZGR	13/16"	14mm	Projected	Resistor	22.0mm	C	Gasket Seat
ZFR	5/8" (ISO)	14mm	Projected	Resistor	22.5mm	E	Gasket Seat
ZFR	5/8" (ISO)	14mm	Projected	Resistor	3/4"	F,J	Gasket Seat

- ATV/UTV UTILITY TIRES
- ATV/UTV SPORT/SAND
- ATV/UTV WHEELS
- MOTORCYCLE STREET TIRES
- OFF-ROAD TIRES
- MOTORCYCLE WHEELS
- TUBES
- EXHAUST
- CONTROL
- MOTORCYCLE ACCESSORIES
- GOGGLES
- HELMETS
- PROTECTIVE GEAR
- ATV/UTV ADD ONS
- WINCH/PLOW
- SUSPENSION
- BEARINGS
- DRIVE
- ELECTRICAL
- MISC. ACCESSORIES
- ENGINE
- FUEL/AIR
- TOOLS
- BRAKES
- CHEMICAL
- APPAREL
- CROSS REFERENCE

# NGK SPARK PLUGS DEFINITIONS

## RESISTOR COVERS

**L**

**B**

**05**

**E**

**H P K**

**External appearance**

- L: 90° Elbow type
- S: Straight
- X: 102° Elbow Type
- V: 120° Elbow type (long)
- Y: 120° Elbow type (short)

**Resistance**

- 01: 1 KΩ
- 05: 5 KΩ
- 10: 10 KΩ

**Adaptable plug terminal**

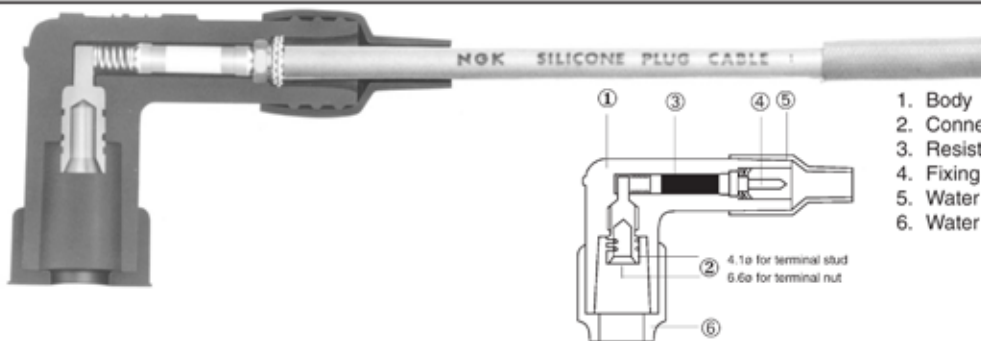
- E: For terminal nut or integrated terminal
- F: For terminal stud

**Accessory**

- H: Compact type
- P: With Special Water-Proof Cover
- K: With Silicone Water-Proof Cover
- M: Rubber Sheathed
- F: For 5 mm ø high tension cord
- Y: With handle
- Z: Special shape

**Adaptable plug thread size**

- B: 14mm ø thread
- D: 10 & 12mm ø thread
- Z: 10, 12 & 14mm ø thread



1. Body
2. Connector
3. Resistor element
4. Fixing screw
5. Water proof cover
6. Water proof Cover

Configuration (applicable plug thread dia, body material)	Unit: mm	Part No:	Stock No:	KΩ
<p>LE, LB type: 14mm ø thread LD type: 10 &amp; 12mm ø thread Phenolic Resin</p> <p>&lt; Excluding LB ○EZ type &gt;</p>		LB01E	8011	1
		LB05E	8031	5
		LB01EP	8328	1
		LB05EP	8020	5
		LB05F	8051	5
		LB05FP	8030	5
<p>14mm ø thread Phenolic Resin</p> <p>&lt; LB ○EZ &gt;</p>		LB05EZ	8744	5
		LB05EZA	8769	5
		LB10E	8349	10
		LZFH	8381	No resistor

- ATV/UTV UTILITY TIRES
- ATV/UTV SPORT/SAND
- ATV/UTV WHEELS
- MOTORCYCLE STREET TIRES
- OFF-ROAD TIRES
- MOTORCYCLE WHEELS
- TUBES
- EXHAUST
- CONTROL
- MOTORCYCLE ACCESSORIES
- GOGGLES
- HELMETS
- PROTECTIVE GEAR
- ATV/UTV ADD ONS
- WINCH/PLOW
- SUSPENSION
- BEARINGS
- DRIVE
- ELECTRICAL
- MISC. ACCESSORIES
- ENGINE
- FUEL/AIR
- TOOLS
- BRAKES
- CHEMICAL
- APPAREL
- CROSS REFERENCE